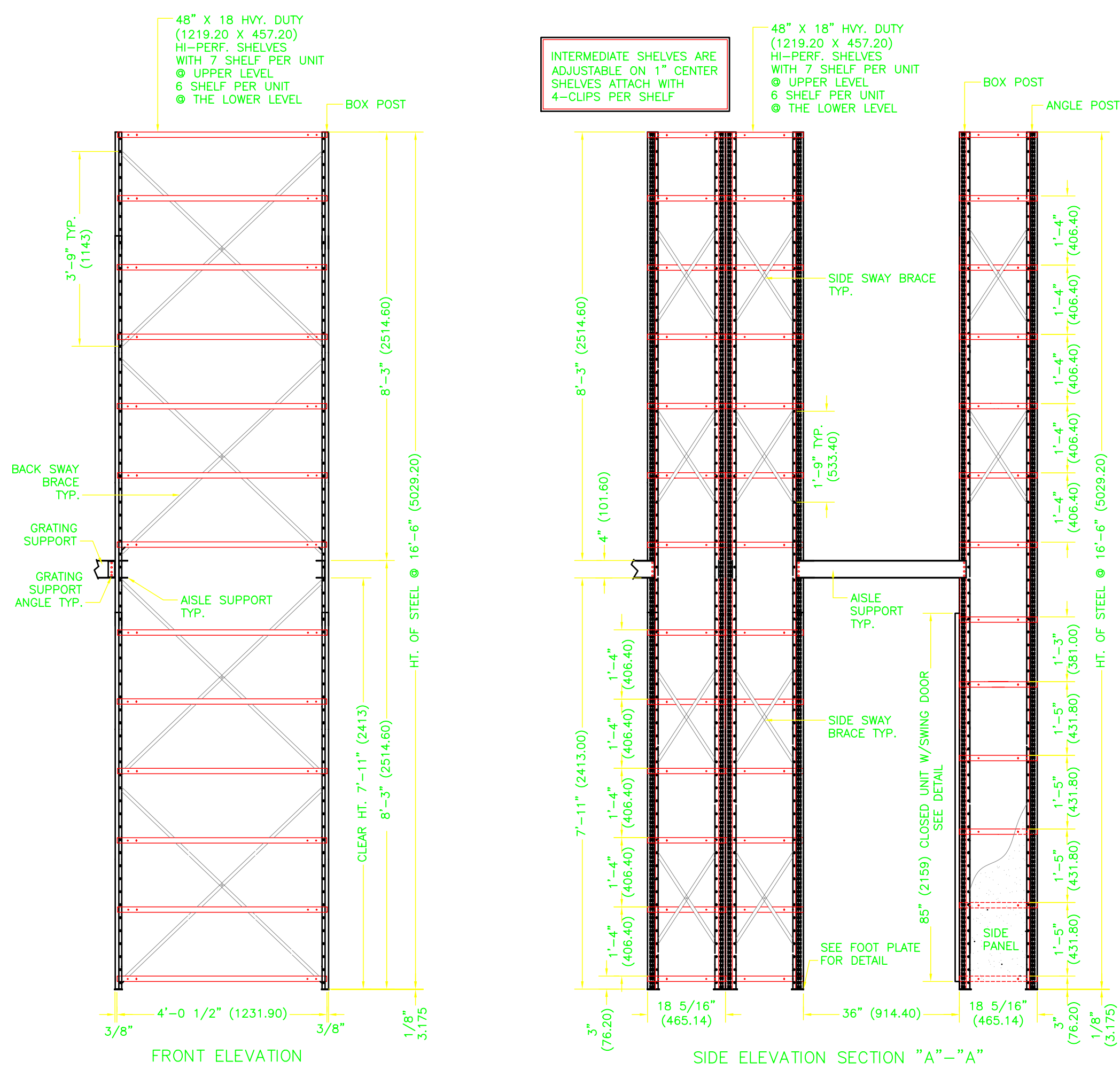


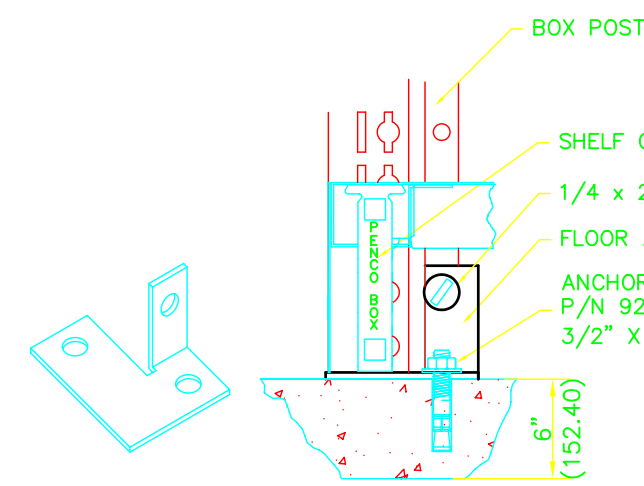
**FIRST LEVEL CLIPPER SHELVING**

- W/ 6- HVY. DUTY HI-PERFORMANCE SHELVES PER UNIT
- MS1 98 UNITS 48" X 18" (1219.20 X 457.20) OPEN CLIPPER
- MS2 6 UNITS 48" X 18" (1219.20 X 457.20) CLOSED CLIPPER W/ DOORS
- MS3 2 UNITS 36" X 18" (914.40 X 457.20) OPEN CLIPPER FREE STANDING

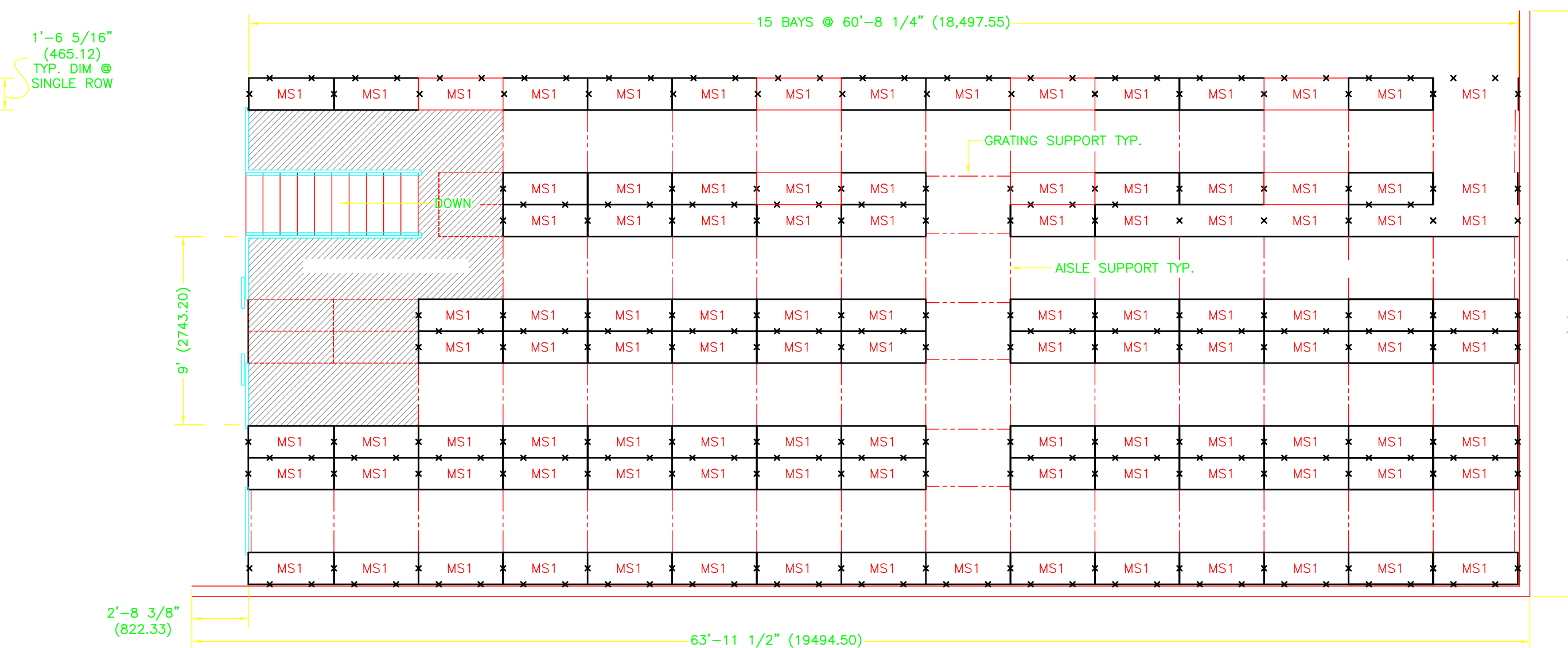


**TYPE "MS1" AND "MS2" CLIPPER SHELVING**

- MS1 98 UNITS @ 1 ST. LEVEL 48" X 18" X 198" (1219.20 X 457.20 X 5029.20)
- 104 UNITS @ 2 ND. LEVEL 48" X 18" X 198" (1219.20 X 457.20 X 5029.20)
- OPEN TYPE HP SHELVING WITH 6-SHELVES PER UNIT
- MS2 6 UNITS 48" X 18" (1219.20 X 457.20)
- CLOSE TYPE HP SHELVING W/ 87" DOOR AND 6-SHELVES (BOTTOM LEVEL ONLY)



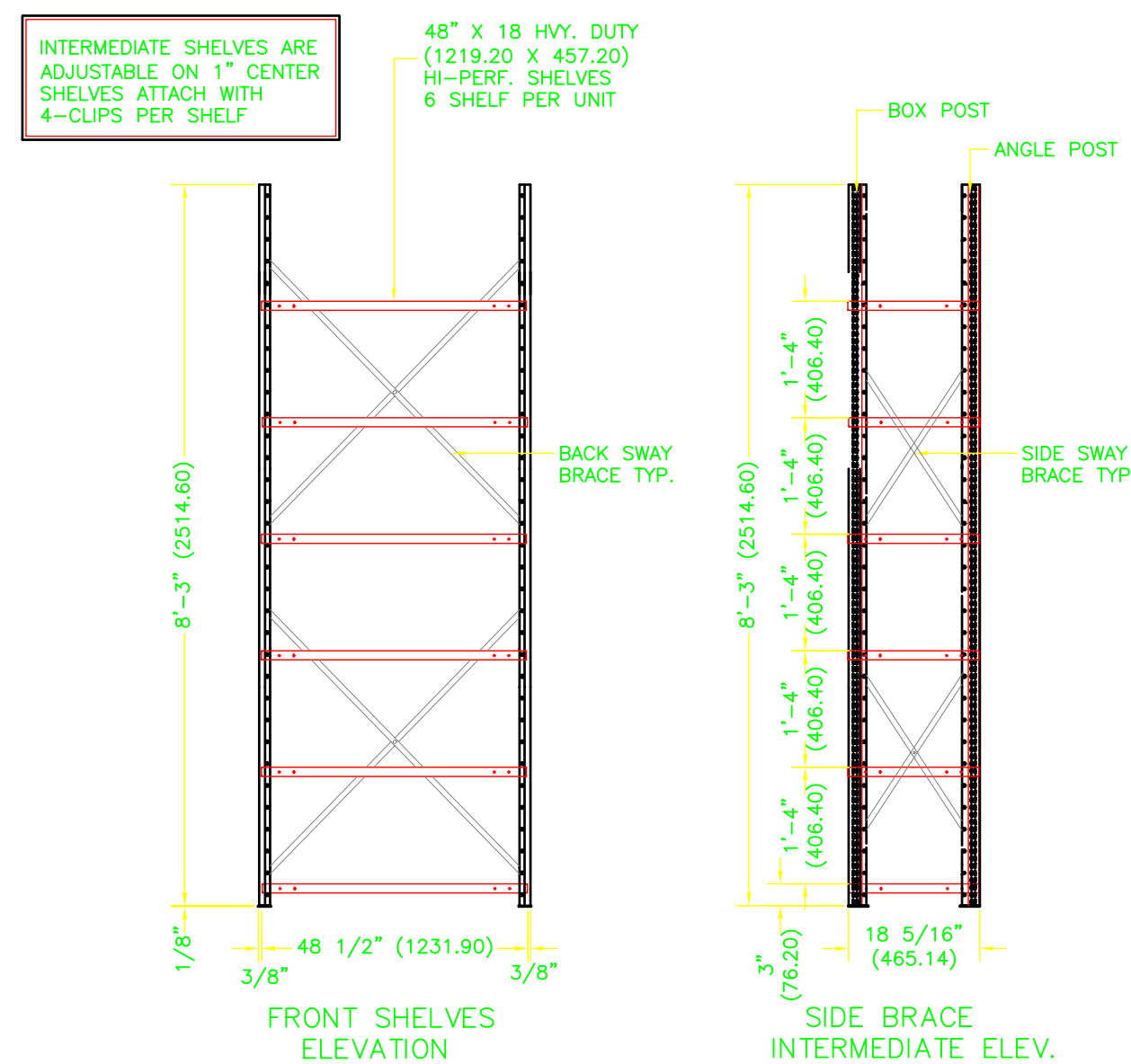
FLOOR ANCHOR DETAIL FOR CLIPPER



**SECOND LEVEL CLIPPER SHELVING**

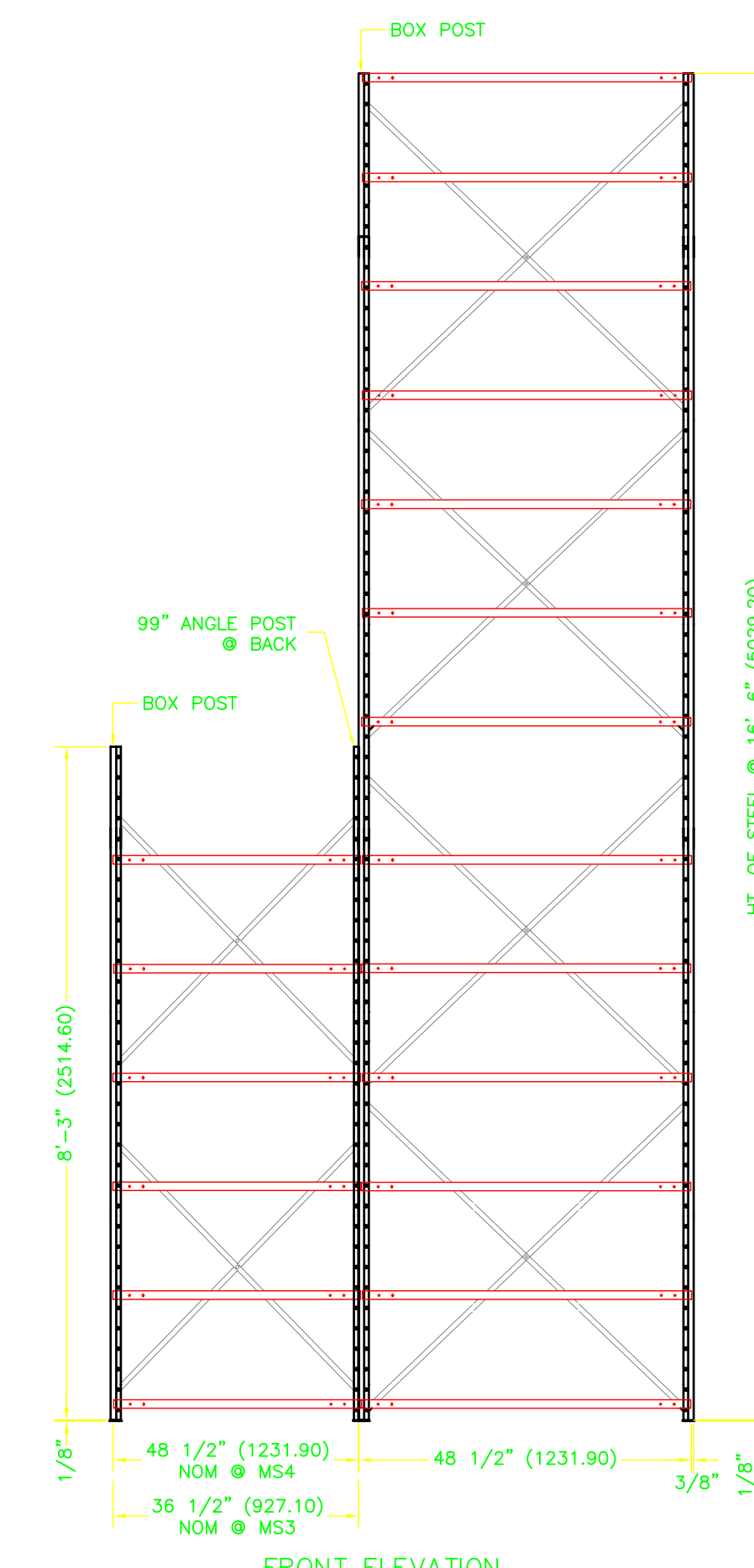
- W/ 6- HVY. DUTY HI-PERFORMANCE SHELVES PER UNIT
- MS1 104 UNITS 48" X 18" (1219.20 X 457.20) OPEN CLIPPER

INTERMEDIATE SHELVES ARE ADJUSTABLE ON 1" CENTER SHELVES ATTACH WITH 4-CLIPS PER SHELF



**TYPE "MS4" FREE STANDING OPEN TYPE CLIPPER**

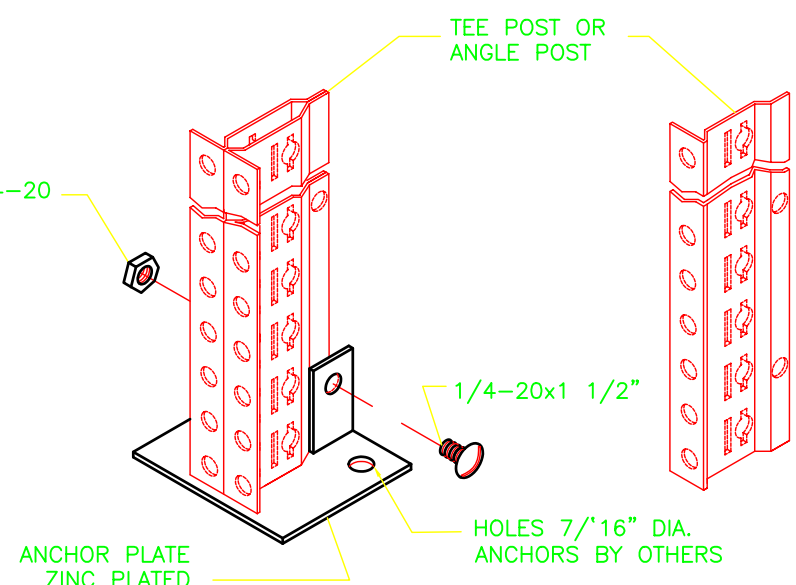
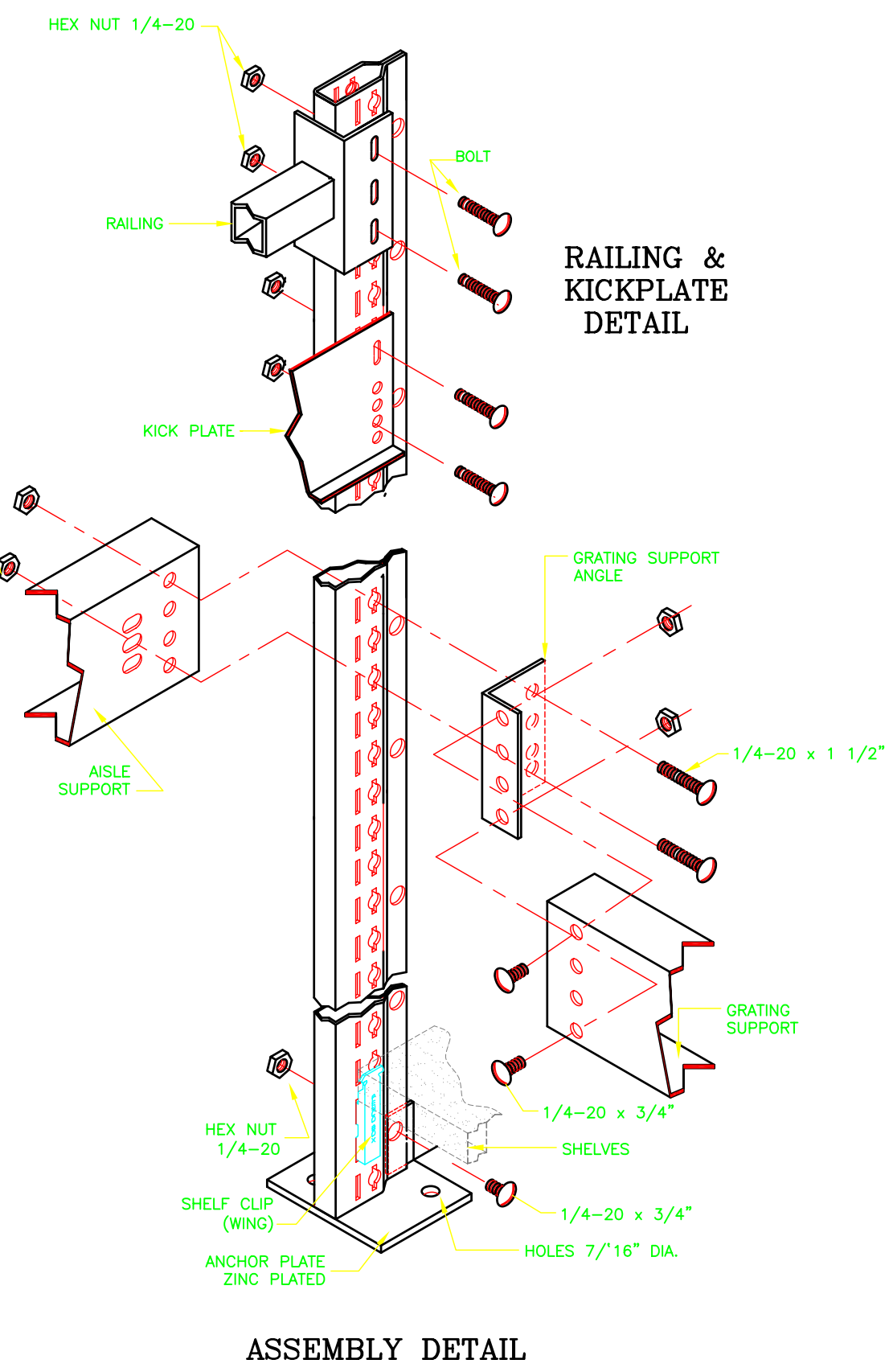
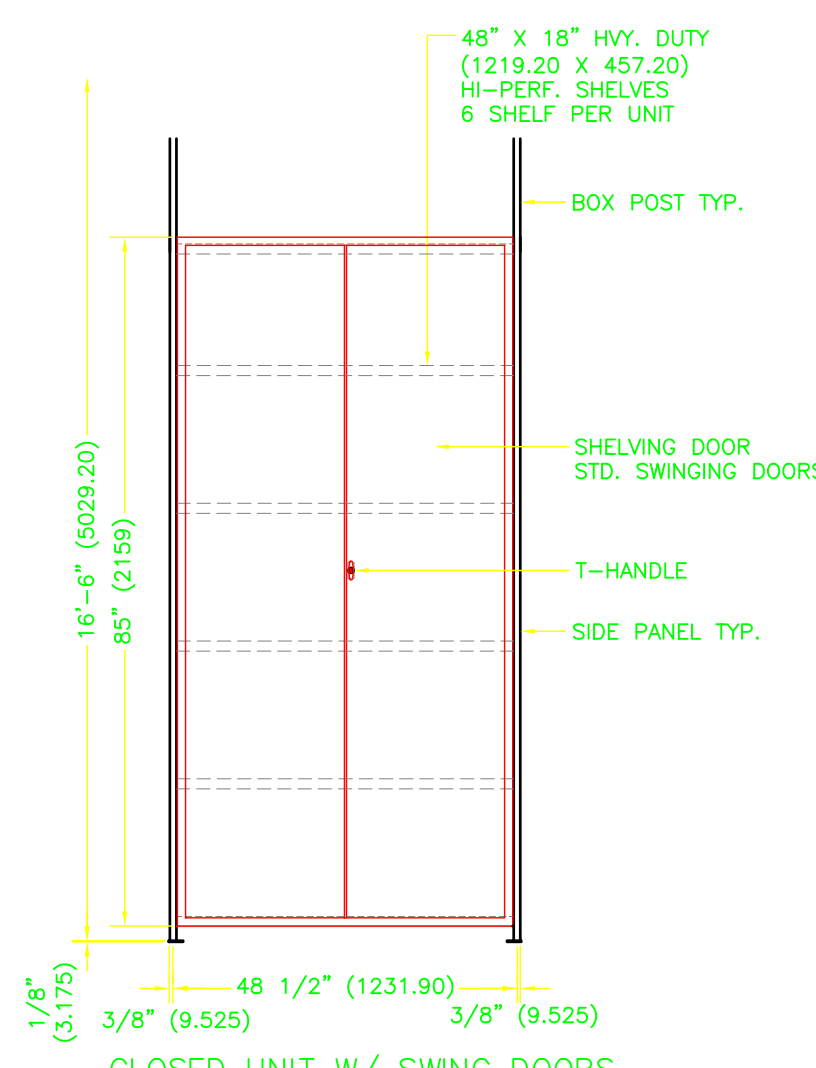
- MS4 2 UNITS 48" X 18" X 99" (1219.20 X 457.20 X 2514.60) ON ONE END (LOW) HP SHELVING WITH 6-SHELVES
- 2 UNITS 48" X 18" X 99" (1219.20 X 457.20 X 5029.20) ON ONE END (HIGH) HP SHELVING WITH 6-SHELVES



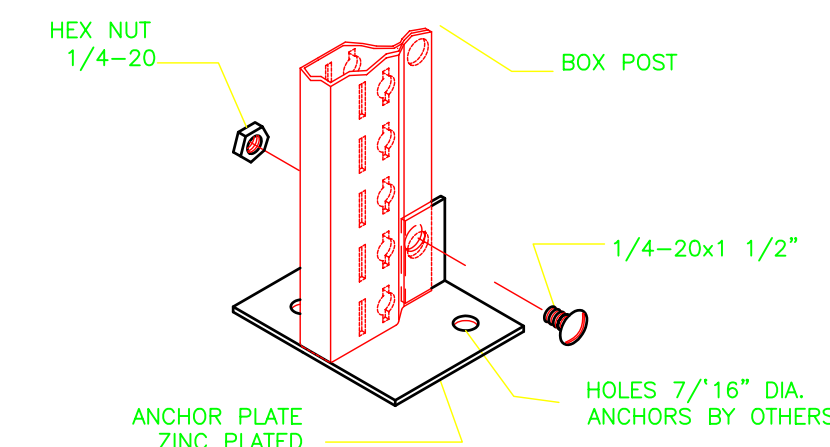
**LOW/HIGH DETAIL**

- NITS 36" X 18" X 99"/198" (914.40 X 457.20 X 2514.60/5029.20) HP SHELVING WITH 6-SHELVES
- NITS 48" X 18" X 99"/198" (1219.20 X 457.20 X 2514.60/5029.20) HP SHELVING WITH 6-SHELVES

**MS2 SWING DOORS DETAIL**



FOOT PLATE DETAIL



**NOTE:**  
ADVISE/CONFIRM SIZE, QUANTITY AND LOCATION OF ALL SHELVING PRIOR TO CONSTRUCTION.

No.	By	Description	Date	Signature
Owner:		PENCO		
Project:		PENCO Products, Inc. Subsidiary of Veistar Corporation		
Location:		OAKS PLANT Brower Avenue, Oaks, PA 19456		
Title:		Drawn by:	Date:	
Erector:		Checked:	Approved:	
File:		SHEET of		Drawing No: 119010