

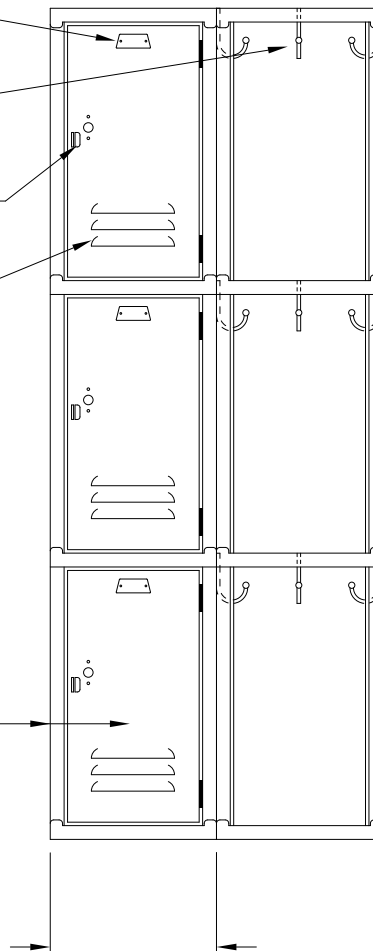
ALUMINUM NO. PLATE

THREE SGL. PRONG WALL  
HOOKS EA. OPENING

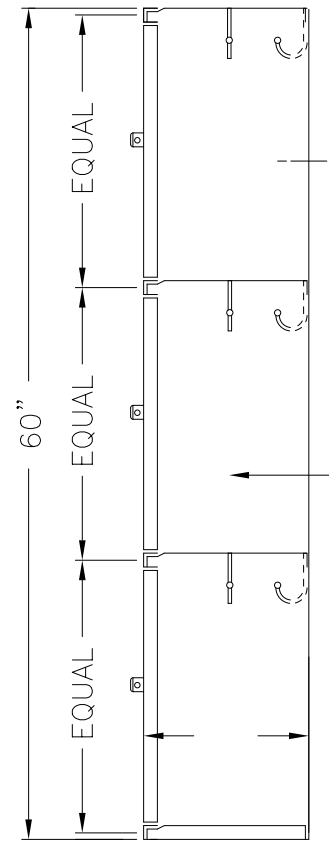
PADLOCK STAPLE/DOOR PULL  
W/ LOCK HOLE COVER PLATE

THREE LOUVERS @ BOTTOM  
EA. DOOR

18GA. DOOR & 16GA. FRAME  
ASS'Y



ELEVATION

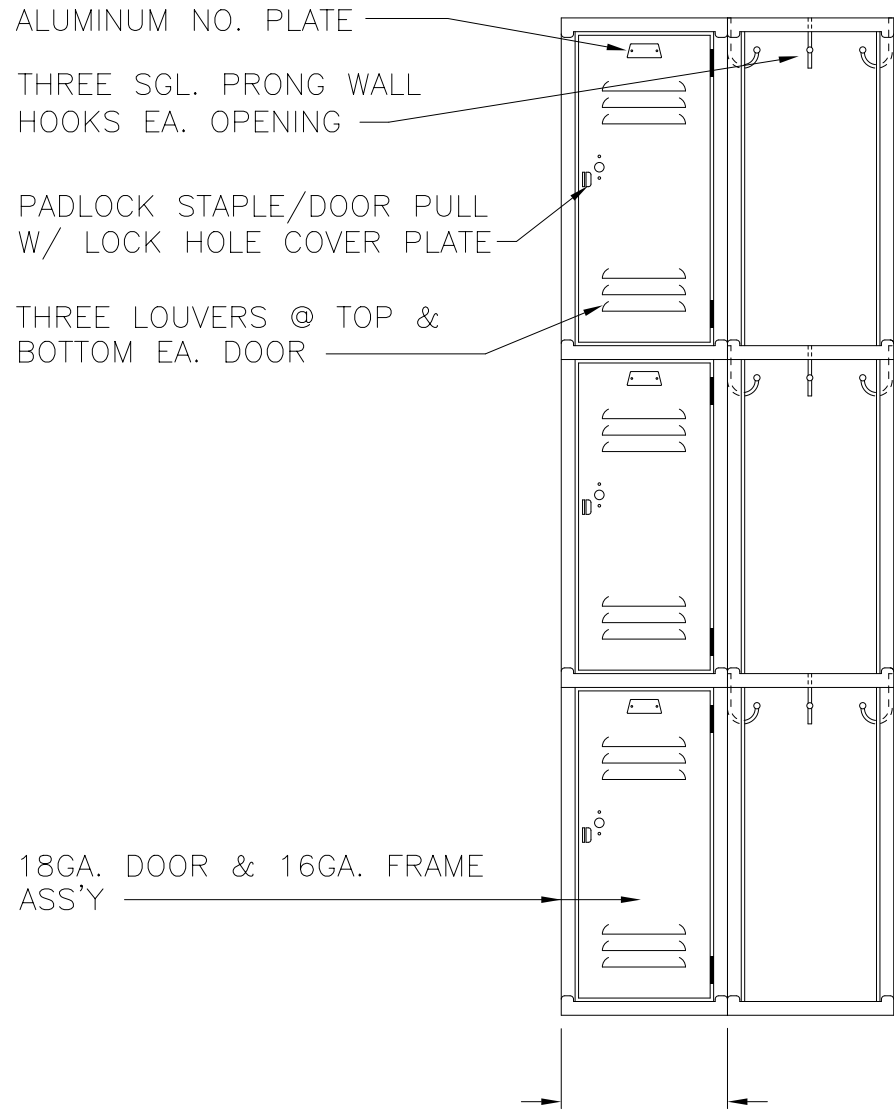


24GA. BODY &  
TIER HEADS

SECTION @ WALL

60" HIGH TRIPLE TIER VANGUARD KNOCKDOWN LOCKER

TYPICAL FOR 9" & 12" WIDE, ALLOW 1/16" CREEPAGE PER FRAME  
TYPICAL FOR 12", 15", 18", & 21" DEEP



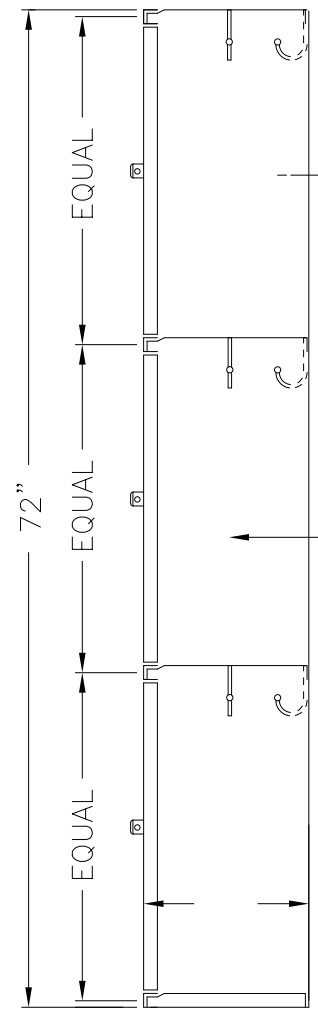
ALUMINUM NO. PLATE

THREE SGL. PRONG WALL HOOKS EA. OPENING

PADLOCK STAPLE/DOOR PULL W/ LOCK HOLE COVER PLATE

THREE LOUVERS @ TOP & BOTTOM EA. DOOR

18GA. DOOR & 16GA. FRAME ASS'Y



24GA. BODY & TIER HEADS

ELEVATION

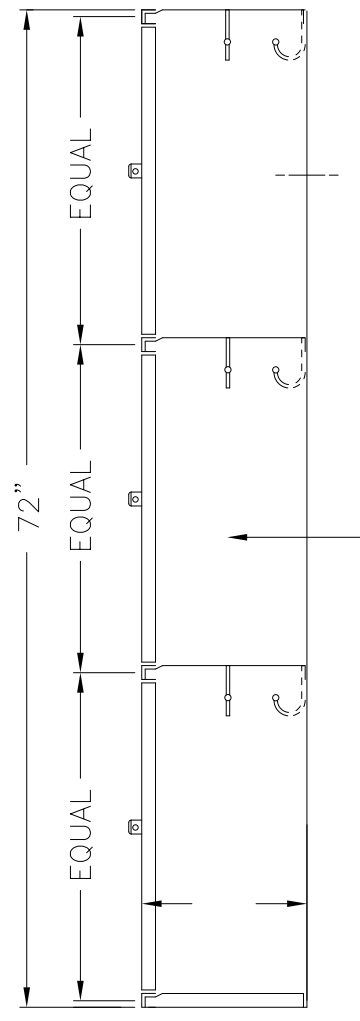
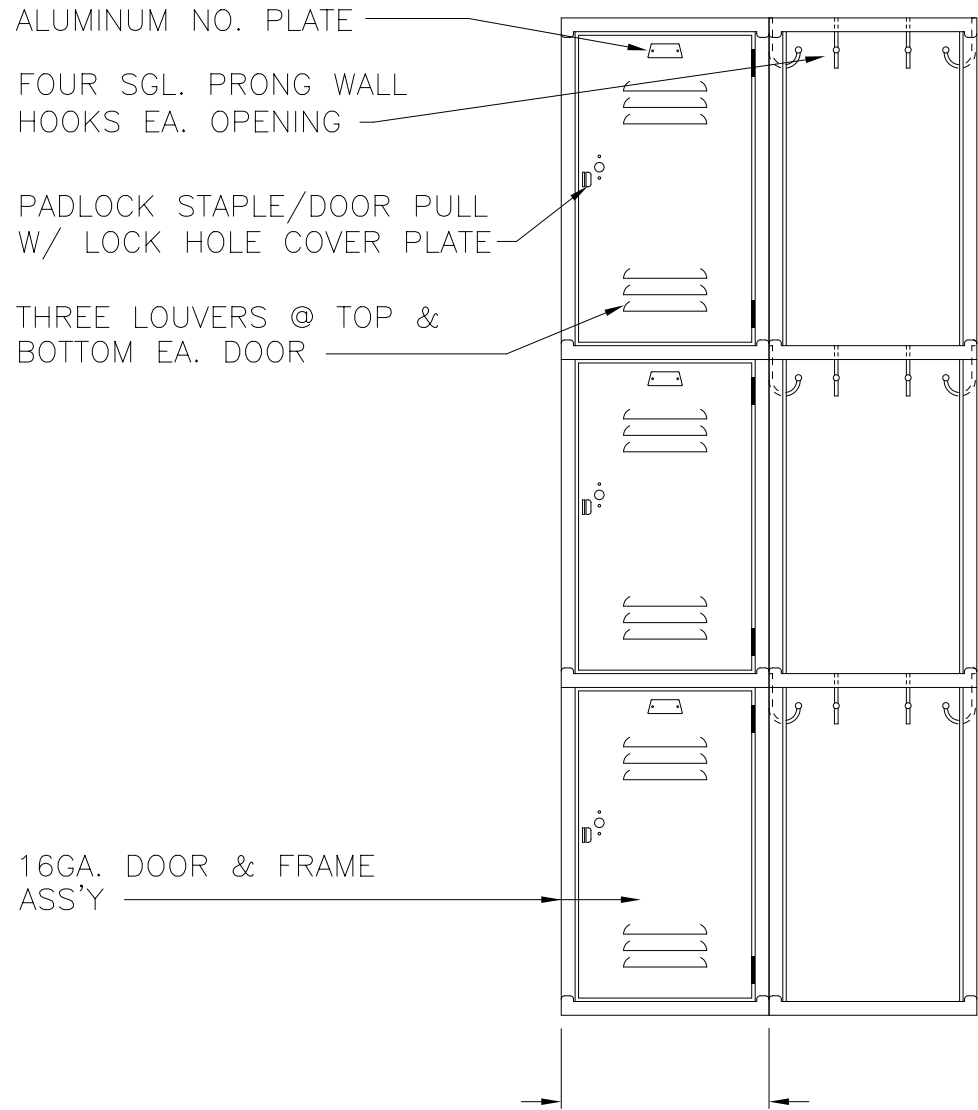
SECTION @ WALL

72" HIGH TRIPLE TIER VANGUARD KNOCKDOWN LOCKER

TYPICAL FOR 9" & 12" WIDE, ALLOW 1/16" CREEPAGE PER FRAME  
TYPICAL FOR 12", 15", 18", & 21" DEEP

This drawing shows a standard Penco Product. Any modifications to the product must be approved by Penco Engineering. 8/6/2001





ELEVATION

SECTION @ WALL

72" HIGH TRIPLE TIER VANGUARD KNOCKDOWN LOCKER

15" WIDE, ALLOW 1/16" CREEPAGE PER FRAME  
TYPICAL FOR 12", 15", 18", & 21" DEEP

This drawing shows a standard Penco Product. Any modifications to the product must be approved by Penco Engineering. 8/6/2001

