

ONE DBL. PRONG CEILING  
HOOK & THREE SGL. PRONG  
WALL HOOKS EA. OPG.

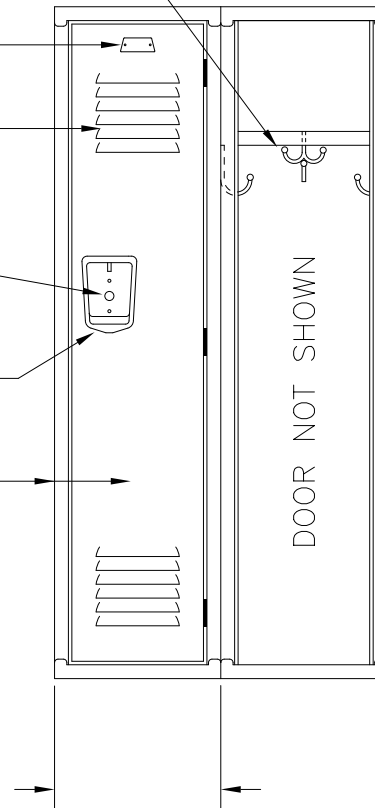
ALUMINUM NO. PLATE

SIX LOUVERS @ TOP  
& BOTTOM EA. DOOR

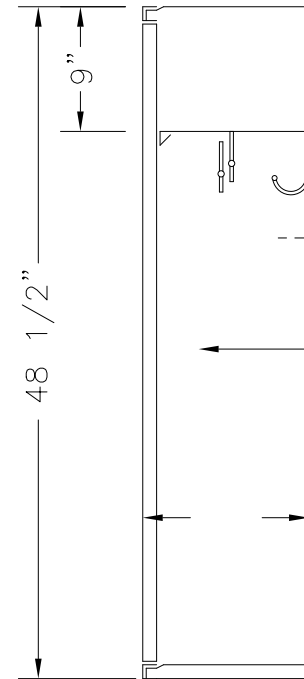
LOCK HOLE COVER PLATE

STAINLESS STEEL RECESSED  
POCKET WITH PADLOCK EYE

16GA. DOOR & FRAME



ELEVATION



24GA. BODY &  
TIER HEADS

SECTION @ WALL

48 1/2" HIGH SINGLE TIER VANGUARD KNOCKDOWN LOCKER W/ RECESSED POCKET

TYPICAL FOR 9" & 12" WIDE, ALLOW 1/16" CREEPAGE PER FRAME

TYPICAL FOR 12" & 15" DEEP

ONE DBL. PRONG CEILING  
HOOK & FOUR SGL. PRONG  
WALL HOOKS EA. OPG.

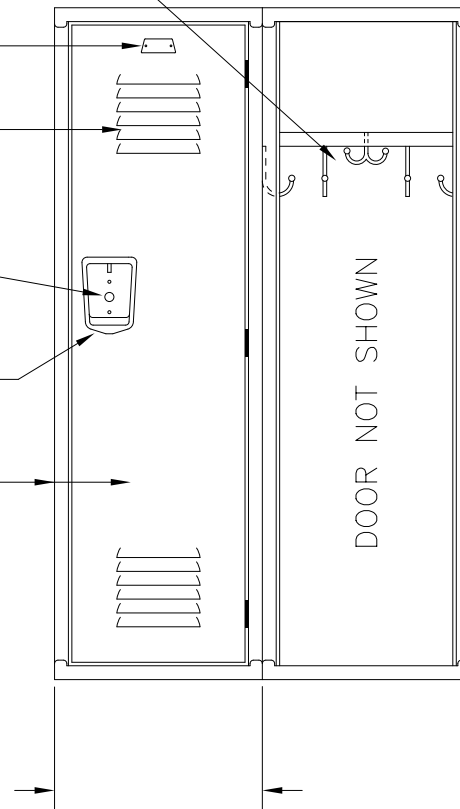
ALUMINUM NO. PLATE

SIX LOUVERS @ TOP  
& BOTTOM EA. DOOR

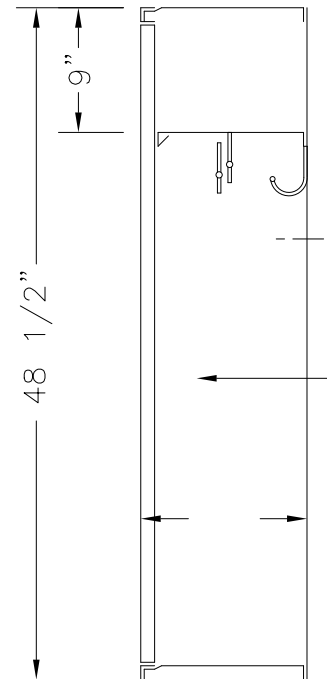
LOCK HOLE COVER PLATE

STAINLESS STEEL RECESSED  
POCKET WITH PADLOCK EYE

16GA. DOOR & FRAME  
(18" RECEIVES DOOR REINFORCING PAN)



ELEVATION



SECTION @ WALL

48 1/2" HIGH SINGLE TIER VANGUARD KNOCKDOWN LOCKER W/ RECESSED POCKET

TYPICAL FOR 15" & 18" WIDE, ALLOW 1/16" CREEPAGE PER FRAME  
TYPICAL FOR 12" & 15" DEEP